

RATCHET PODGER WRENCH



- Two sizes to allow a variety of uses.
- Tighten and loosen nuts and bolts without the socket falling off
- Spear end is used to align position of bolt holes
- Cation plated to provide excellent rust proofing

Part Number	Item Code	Socket Sizes	Length (mm)	Weight (g)
SRRN1012	508253	10x12mm	225	160
SRRN1317	508256	13x17mm	265	240
SRRN1618	508257	16x18mm	310	400
SRRN1719	508258	17x19mm	310	400
SRRN1824	508260	18x24mm	355	680
SRRN1921	508262	19x21mm	310	400
SRRN1924R	508264	19x24mm	355	680
SRRN2427	508267	24x27mm	355	680
SRRN2124	508265	21x24mm	355	680
SRRN2224	508266	22x24mm	355	680
SRRN2430	508268	24x30mm	400	1080
SRRN2730	508270	27x30mm	400	1080
SRRN2732	508271	27x32mm	400	1080
SRRN3036	508272	30x36mm	445	1400
SRRN3236	508274	32x36mm	445	1400
SRRN3641	508275	36x41mm	490	2050
SRRN4650	508276	46x50mm	545	3080

RUBBER GRIPS



- Special oil resistant grip designed for use with podger wrenches
- Attaches to the spear part of the ratchet wrenches
- Easy to grasp non-slip surface is perfect for extended use

Part Number	Item Code	Suits Socket Sizes
SRRG4	508245	17x19, 16x18, 19x21mm
SRRG5	508246	21x24, 22x24mm
SRRG6	508247	24x30, 27x30, 27x32, 30x36, 32x36 mm
SRRG8	508248	36x41, 46x50 mm

Available From:

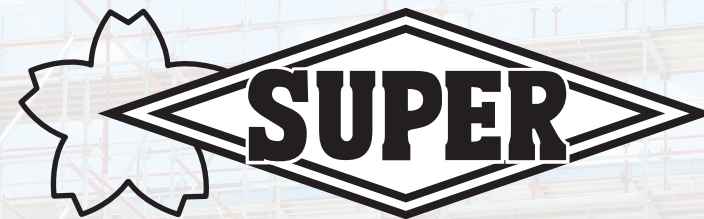
WHITE INTERNATIONAL PTY LTD

52-60 Ashford Ave Milperra NSW 2214
 PO Box 304 Milperra LPO NSW 2214
 Phone 02 9783 6000 Fax 02 9783 6001
 Customer Service Hotline 1300 783 601
 Email Sales: sales@whiteint.com.au
 General info: info@whiteint.com.au
www.whiteint.com.au

WHITE INTERNATIONAL NZ LTD

15G Kerwyn Avenue,
 East Tamaki, Auckland 2013, New Zealand
 Phone 09 579 9777 Fax 09 579 7775
 Customer Service Hotline 0800 509 506
 Customer Service Faxline 0800 804 344
 Email Sales: sales@whiteint.co.nz
 General info: info@whiteint.co.nz
www.whiteint.co.nz

Disclaimer: Every effort has been made to publish the correct details in this brochure. No responsibility will be taken for errors, omissions or changes in product specifications.

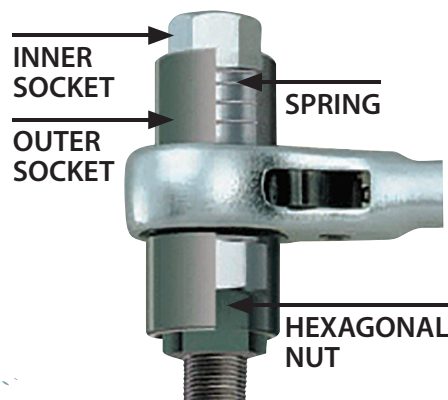


4 in 1 STUBBY RATCHET PODGER



- Light weight
- When outer socket is used, inner socket is pushed up easily
- After use the inner socket returns to the original position by spring
- Sliding hole for safety rope attachment

Part Number	Item Code	Socket Sizes	Length (mm)	Weight (g)
SRF-1	508223	10x14mm 13x17mm	198	290
SRF-3	508224	17x21mm 19x24mm	240	470



STUBBY SCAFFOLDING PODGER



- Specially designed to fit Australasian Scaffold Fittings
- Chrome plated finish

Part Number	Item Code	Socket Sizes	Length (mm)	Weight (g)
SRB2124	508211	21x23.5mm	240	270

RATCHET PODGER HOLSTER



- Perfect for Scaffolders and Riggers
- Slips onto the tool belt
- Anchor point for safety rope attachment

Part Number	Item Code	Length (mm)	Weight (g)
SRRHD7	508252	264	85

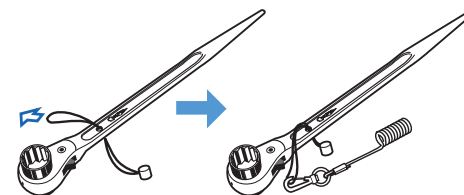
SAFETY ROPE FOR RATCHET PODGER WRENCHES



- Flexible, thin and lightweight
- Kevlar® core cord coated with polyurethane
- Nominal length: 470mm
- Stretched length: 1820mm
- Can carry a falling weight of 1kg

Part Number	Item Code	Weight (g)
SRARK-10K	508208	45

CONNECTING WIRE SYSTEM



DIRECT CATCH SYSTEM

